

Recessed Mount

Installation Instructions

The Recessed Mount will allow the A7 and D7 Cameras to be installed with only the camera nose showing. The rest of the camera body is hidden, recessed in the wall or ceiling, out of sight.

The Recessed Mount is designed to be used on a hollow wall or suspended ceiling.

It will not work with solid walls or ceilings. It cannot be attached to installed junction gang boxes.

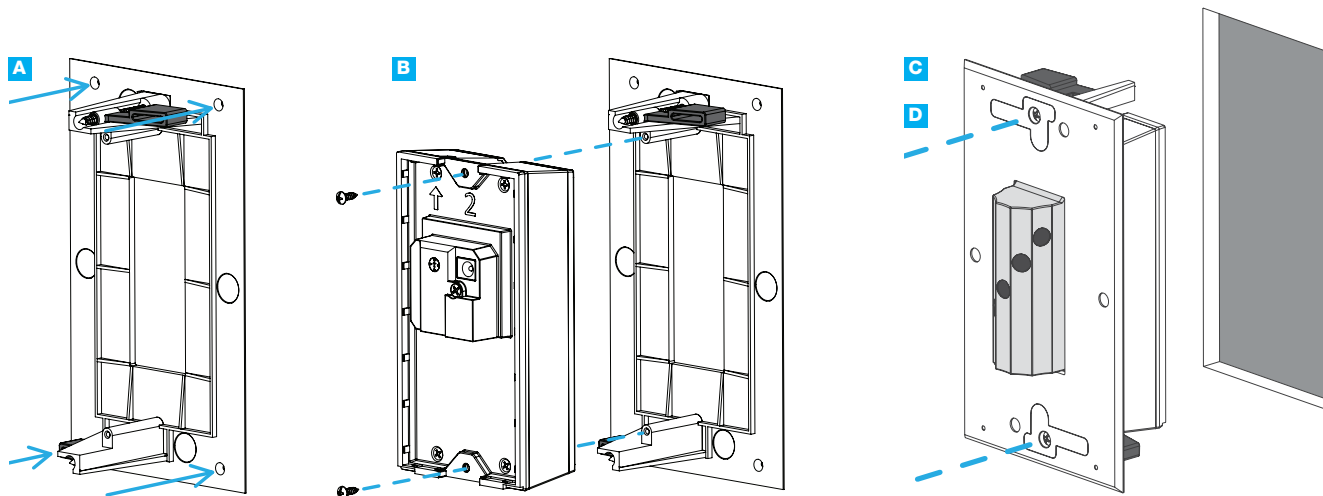
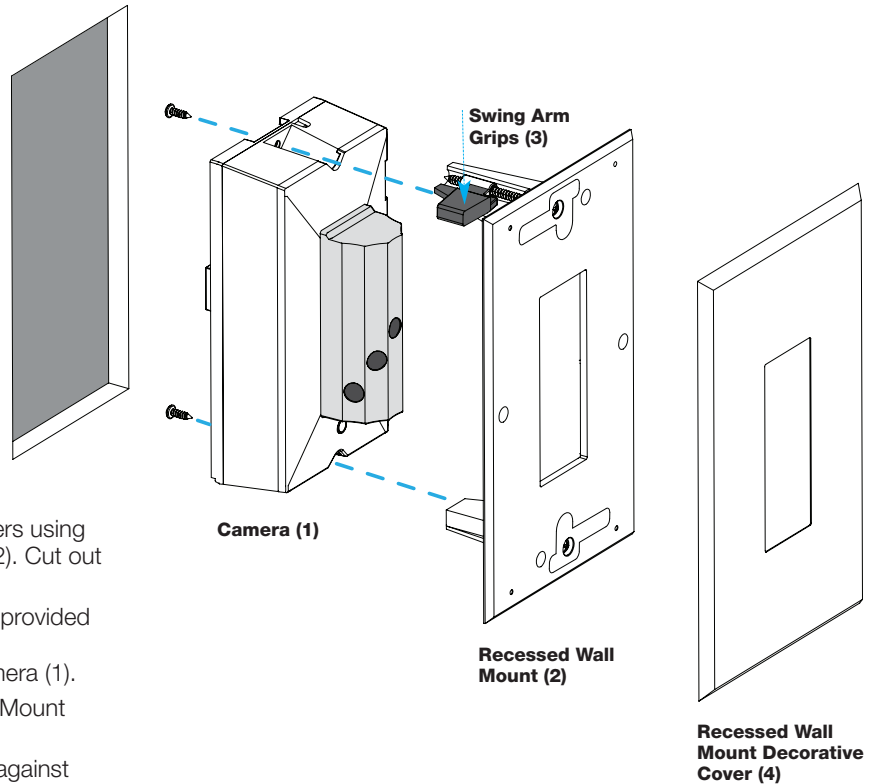
It requires a 2 $\frac{1}{8}$ " x 6 $\frac{3}{16}$ " (7.3 cm x 15.7 cm) hole be cut into wallboard, sheetrock or drop ceiling with a minimum recessed depth of 2" (5 cm).

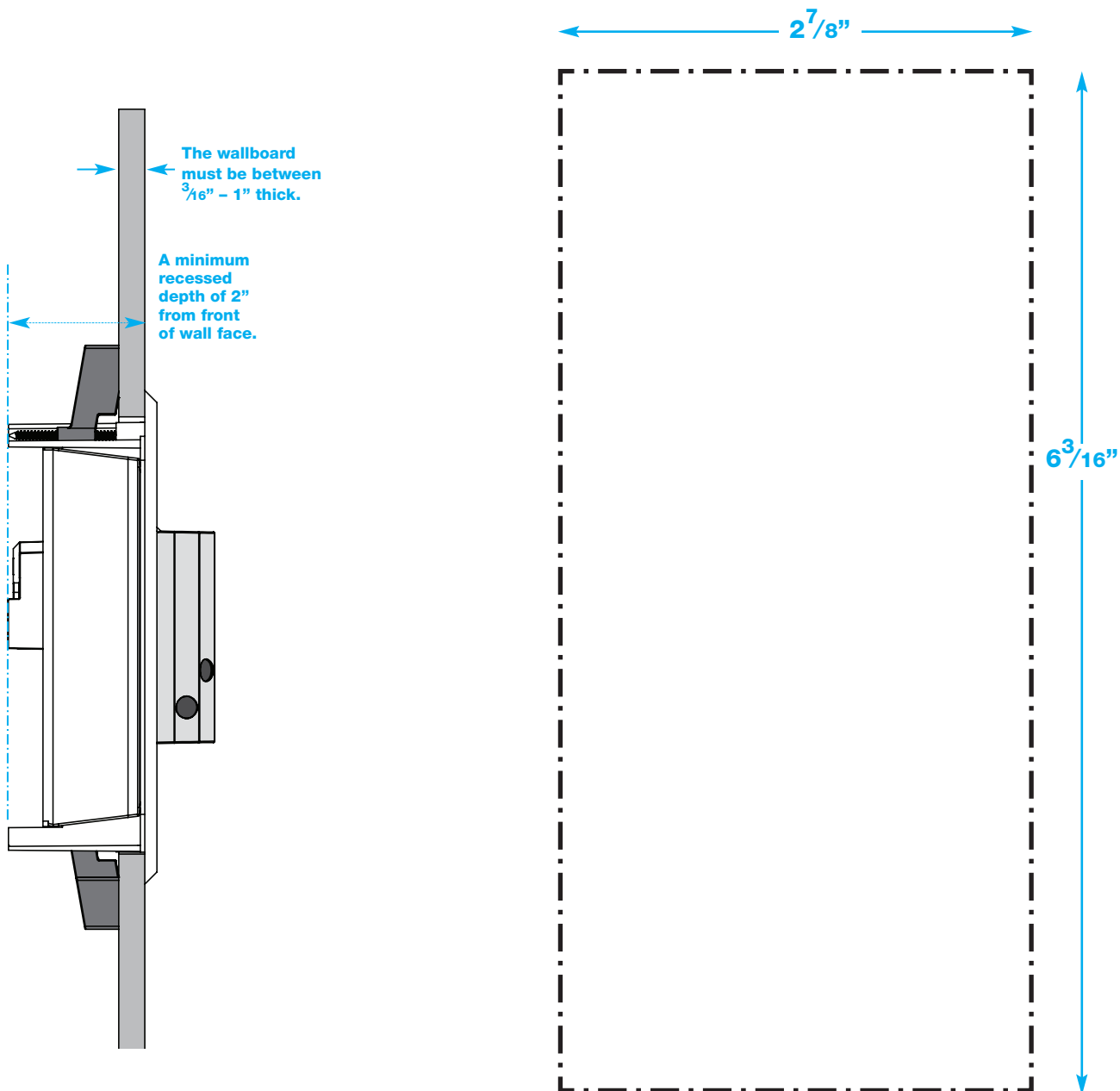
The wallboard must be between $\frac{3}{8}$ " – 1" thick.

Installing the Camera

- A. Using a pencil, mark position of rectangular opening corners using template holes on the back of the Recessed Wall Mount (2). Cut out 2 $\frac{1}{8}$ " x 6 $\frac{3}{16}$ " rectangular opening.
- B. Attach Camera (1) to back of Recessed Wall Mount using provided screws. Do not overtighten. Feed Ethernet cable through opening and connect to Camera (1).
- C. With Swing Arm Grips (3) laying flat, insert Recessed Wall Mount and Camera into rectangular opening.
- D. Hand tighten Swing Arm Grip screws until grips fit snugly against the wallboard. Tightening the Grip screws will cause the Swing Arm Grips to swing vertically and hold the wallboard from behind.
- E. Magnetically attach Recessed Wall Mount Decorative Cover (4).

Note: Do not overtighten or use power tools when attaching wall mounts.





The Recessed Mount is designed to be used on a hollow wall or suspended ceiling. It will not work with solid walls or ceilings. It cannot be attached to installed junction gang boxes.

It requires a $2\frac{7}{8}$ " x $6\frac{3}{16}$ " (7.3 cm x 15.7 cm) hole be cut into wallboard, sheetrock or drop ceiling with a minimum recessed depth of 2" (5 cm).

The wallboard must be between $\frac{3}{16}$ " – 1" thick.